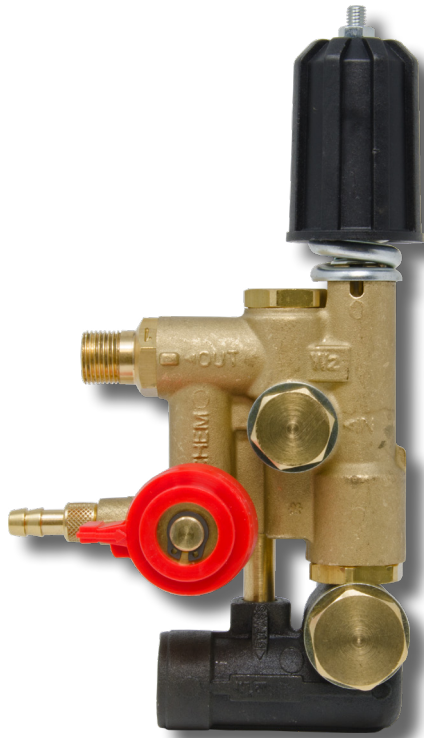


Trapped Pressure Control Set Unloader

Models ZKW21, ZKW21L, ZKW22L

TRAPPED PRESSURE CONTROL SET UNLOADER

with Chemical Injector



FEATURES

- Reduces Cost - Eliminates the need for fittings and bypass hose.
- Compact Design - Features forged brass body and hardware.
- Versatile - Mounts in seconds to either side of pump manifold.
- Adjustable Unloader Valve - Trapped pressure type with internal bypass system.
- Built-In Chemical Injector - Includes variable metering adjustment.

SPECIFICATIONS

Flow Range:	ZKW21, ZKW21L	2.9 - 4.5 GPM
	ZKW22L	4.5 - 6.0 GPM
Maximum Pressure	3000 PSI	
Maximum Temperature	200° F	
Port Sizes:	Inlet	1/2-14 BSPP-F
	Outlet	3/8-19 BSPP-M
Chemical Inlet	5/16 in. I.D. Hose	
Weight	2 lbs.	
Dimensions	8.5" x 2.0" x 5.0"	

General Pump recommends using a safety relief device in conjunction with this unloader valve when installed on a positive displacement pump. General Pump is not liable and assumes no responsibility for this valve when used in a customer's high pressure system.

Model ZKW21, ZKW21L

2.9 - 4.5 GPM

Model ZKW21

used on pump models:

TS1371, TT1411, TT1611, TT9351,
TT9441, TT9971, All EZ Pumps

Model ZKW21L

used on pump models:

T811, TS1011, TS1311, TS1331, TS1511,
TS1711, TS2011, T9131, T9211

Model ZKW22L

4.5 - 6.0 GPM

Model ZKW22L

used on pump models:

T821, T921, T1021, T1321, T1621, T9121,
T9161, TS821, TS921, TS1321, TS1521,
TS1621, TS2021



ZKW2 SERIES

Trapped Pressure Control Set Unloader

GENERAL PUMP

A member of the Interpump Group

PARTS LIST

ZKW2 Pressure Control Set

No.	Part No.	Description	Repair Kit	Qty.
1.	92202000	Nut, M6		1
2.	99184800	Screw, M6 x 16		1
3.	36314502	Knob		1
4.	36314164	Guide, Spring		1
5.	94751600	Spring	93	1
6.	92220000	Nut, M8		1
7.	94740000	Spring		1
8.	36313401	Body		1
9.	93185800	Washer, M17.5		1
10.	90503400	Ring, Back-up	93	1
11.	90357700	O-ring, .302 x .070	93	2
12.	96700900	Washer, M8		2
13.	36314373	Guide, Piston		1
14.	97666000	Pin		1
15.	94738400	Spring	93	1
16.	90357400	O-ring, .239 x .070	93	5
17.	36314266	Piston, Control		1
18.	90382200	O-ring, .391 x .103	93, 94	3
19.	90506500	Ring, Back-up, M10.6x15	93	1
20.	36313766	Seat, Valve	93	1
21.	90359300	O-ring, .614 x .070	93	1
22.	97483800	Ball, 13/32"	93	2
23.	90384300	O-ring, .703 x .103	93	1
24.	94737400	Spring	93	1
25.	36313670	Screw, M22 x 1.5		1
26.	93197200	Washer, M21.5		1
27.	36313522	Body, Banjo		1
29.	90384100	O-ring, .674 x .103	93	1
30.	36313970	Fitting, Banjo		1
31.	36313893	Bypass Tube; W21		1
	36316293	ByPass Tube: W21L, W22L		1
32.	90383200	O-ring, .549 x .103	94	1
33.	10007870	Nipple		1
34.	10007666	Nozzle: Ø .087", W21, W21L		1
	10007766	Nozzle: Ø .098, W22L		1
35.	36314070	Screw, 3/8"		1
36.	90382700	O-ring, .469 x .103	93	1
37.	94735500	Spring	93	1
38.	36310451	Guide, Valve	93	1
39.	90383900	O-ring, .625 x .103	93	1
40.	98215200	Cap, M20		1
41.	90358500	O-ring, .426 x .070	94	1
42.	36256370	Seat, Valve		1
43.	90357000	O-ring, .176 x .070	94	2
44.	36256670	Fitting, Hose Barb		1
45.	36314641	Body, Injector		1
46.	94738300	Spring	94	1
47.	90358000	O-ring, .344 x .070	94	1
48.	36314770	Shutter		1
49.	36314870	Insert, Knob		1
50.	36314951	Knob, Regulation		1
51.	90054500	Circlip		1
52.	96728000	Washer, M14		1
53.	90357200	O-ring, .208 x .070	94	1
54.	97478200	Ball, 7/32"	94	1
55.	94821700	Spring, Taper	94	1
56.	90358200	O-ring, .364 x .070	94	1

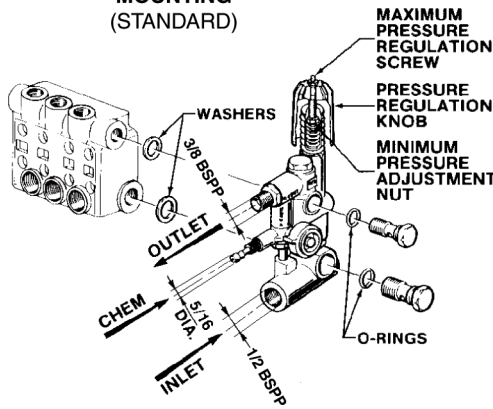
Repair Kit 93

Includes No.'s: 5, 10, 11, 15, 16, 18, 19, 20, 21, 22, 23, 24, 29, 36, 37, 38, 39

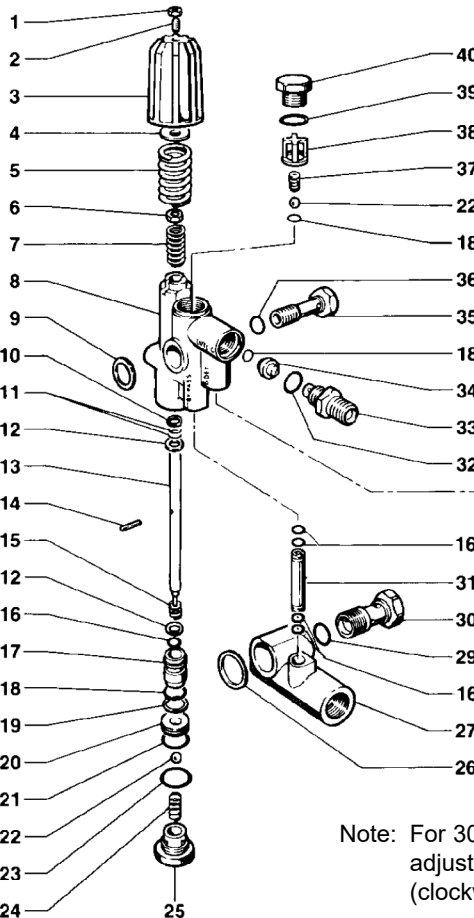
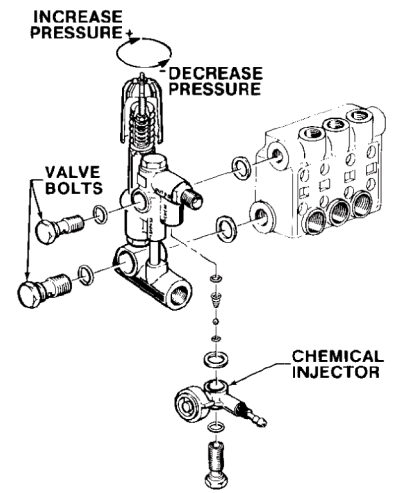
Repair Kit 94

Includes No.'s: 18, 32, 41, 43, 46, 47, 53, 54, 55, 56

RIGHT-HAND MOUNTING (STANDARD)



LEFT-HAND MOUNTING



INSTALLATION

All Control Set Unloaders are shipped ready for right-hand mounting to pump. If left-hand mounting is desired, simply reverse chemical injector and valve bolts as shown in illustration.

Note: The spring, Item #24, may be removed and the unloader will act as an **easy-start** for gas engines.

Note: For 3000 PSI operation, be sure the pressure adjustment nut (Item 6) is screwed tightly (clockwise) on the piston guide (Item 13).

